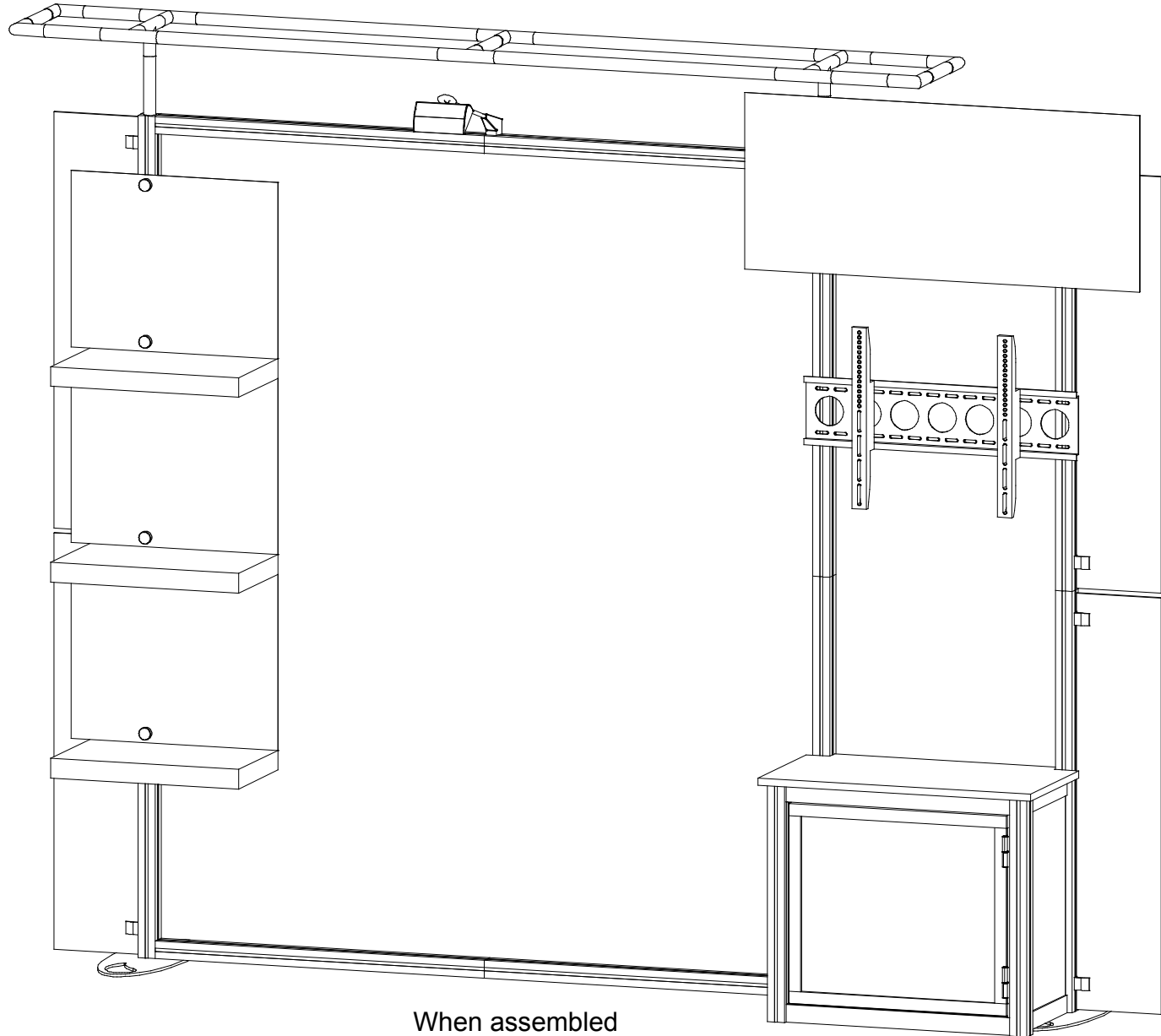
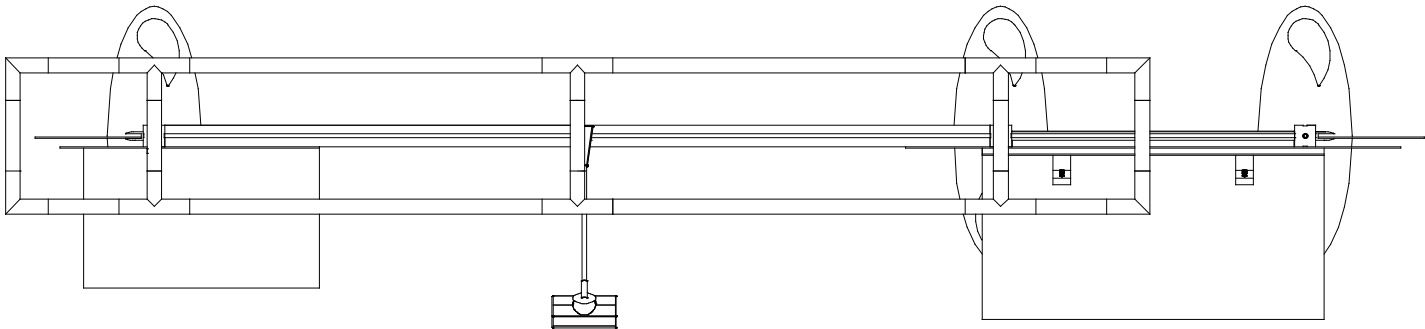


Order #XXXXX - ECO-1067



When assembled



General Setup Instructions

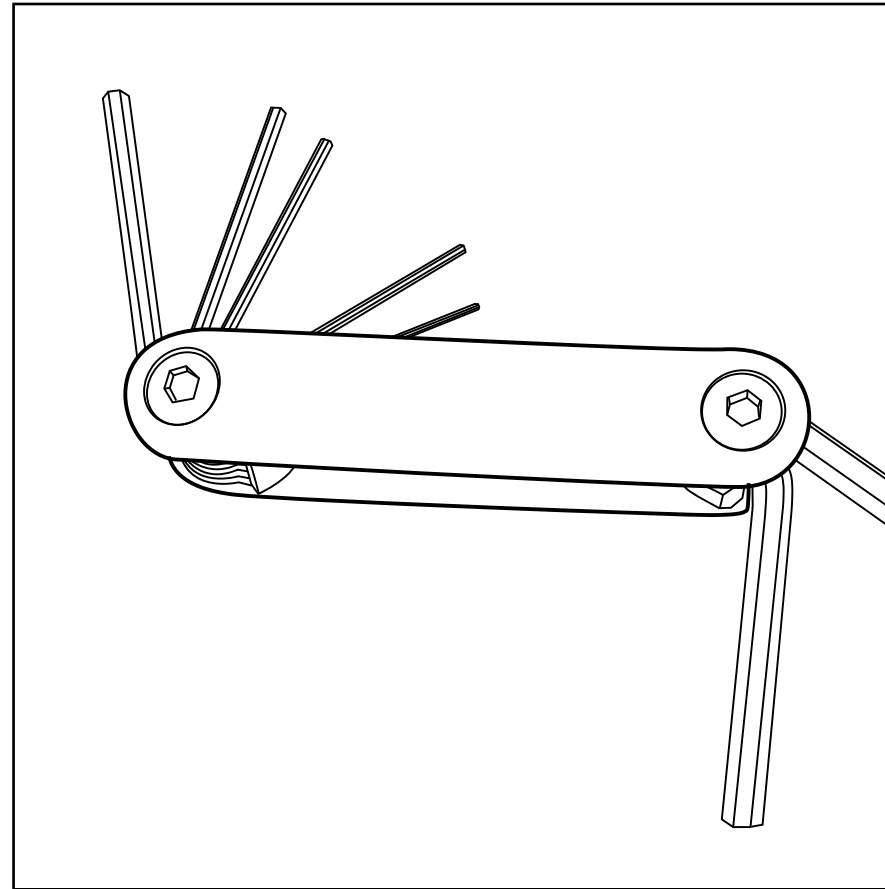
- The setup instructions are created specifically for your configuration.
- Setup instructions are laid out sequentially in levels, including exploded views and a logical series of steps for assembly. We encourage you to study the instructions before attempting to assemble your exhibit.

Cleaning and Packing

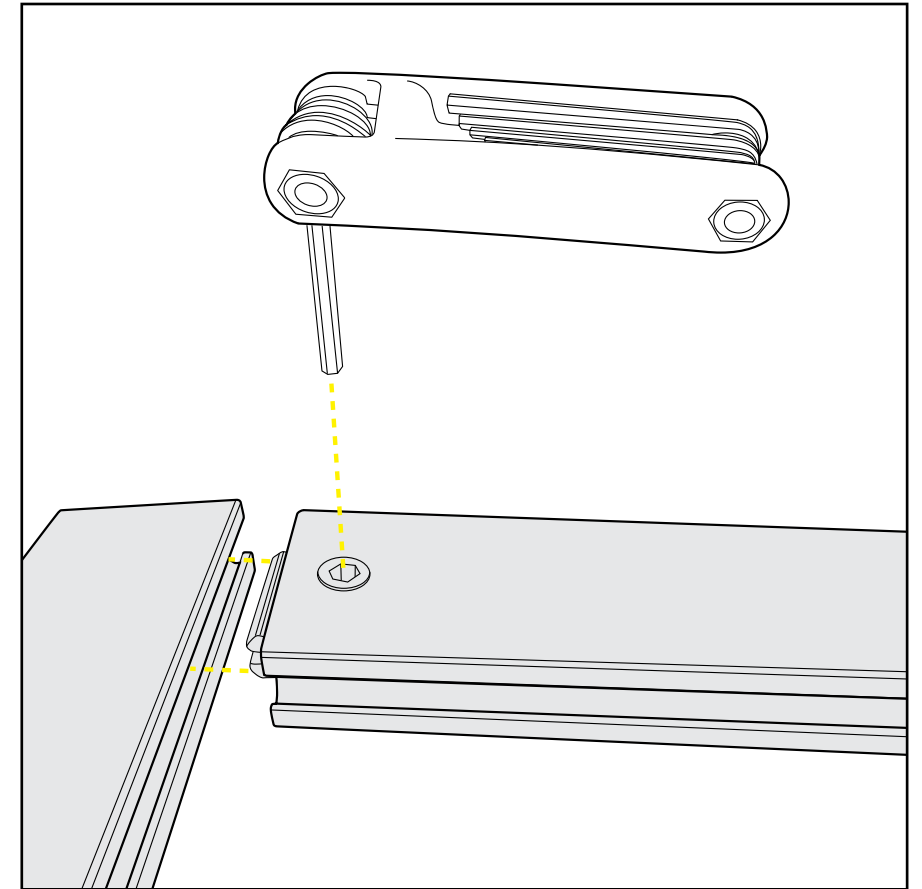
- Use non-abrasive cleaners when cleaning extrusions or ECO Glass inserts.
- Use mild cleaners and soft materials such as cotton to clean all laminates.
- Keep exhibit components away from extreme heat and long exposure to sun light. This will prevent warping and fading.
- Retain all packing material for ease of re-packing. This protects the exhibit components and keeps each part organized.

Disassembling

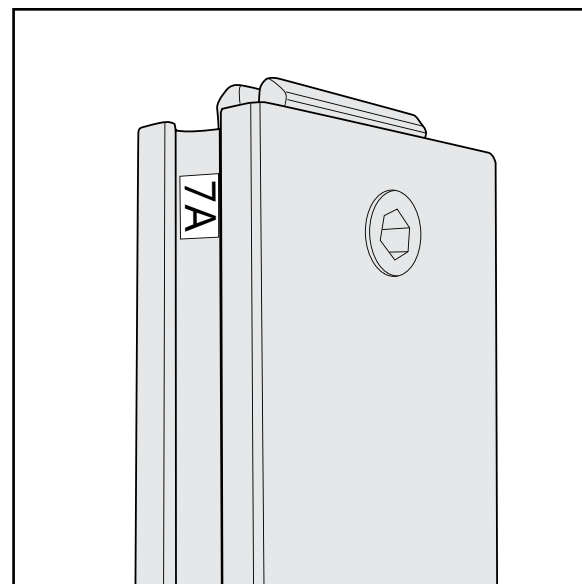
- When disassembling exhibit, tighten all setscrews to prevent loss of hardware in the shipping process.



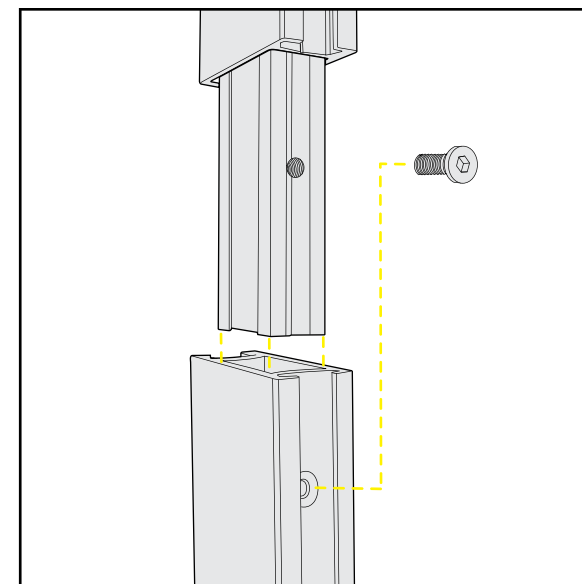
Hex Tool for Assembling Exhibit



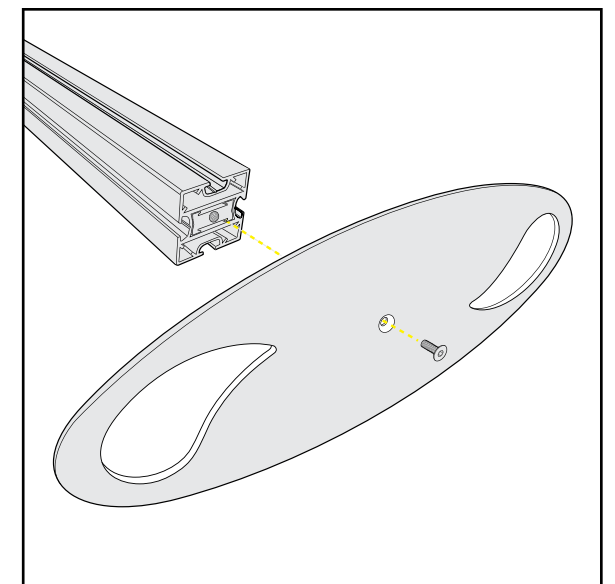
Extrusion Lock Connectors



Numbering Instructions for Setups/Packing



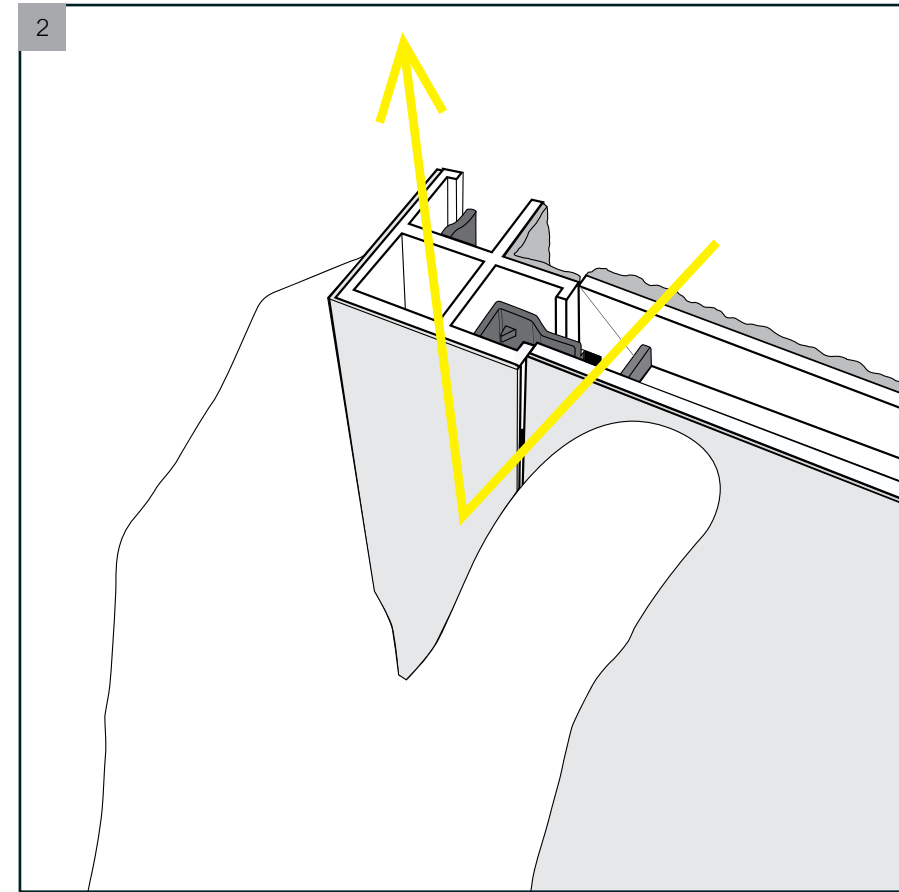
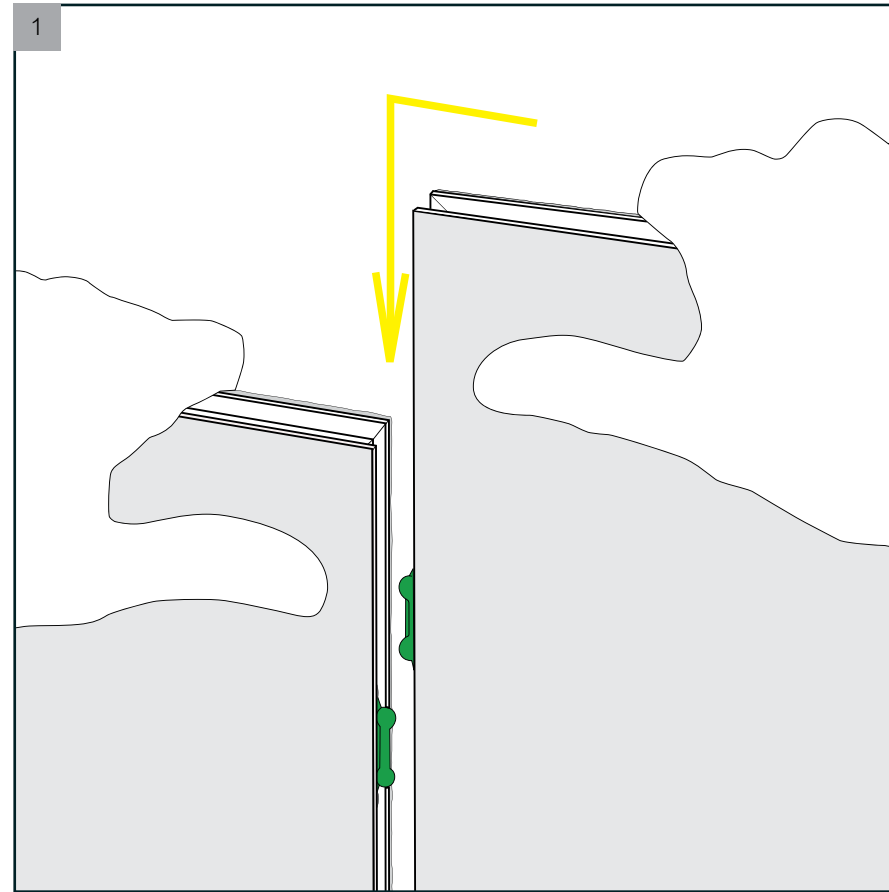
Inline Connection between Extrusions



Baseplate and Connection for Extrusions

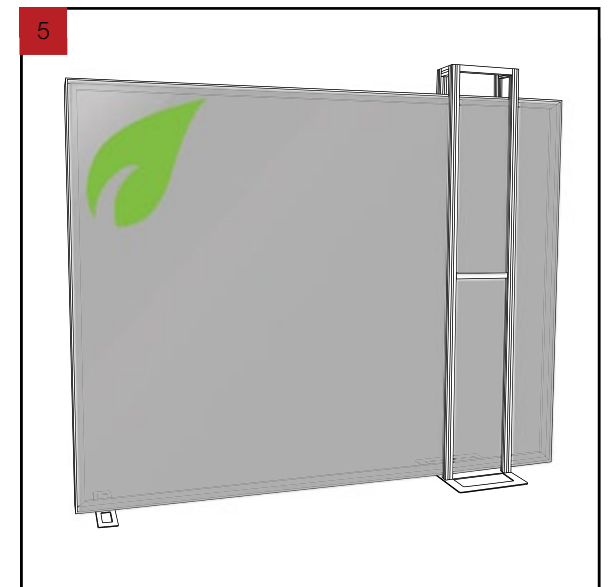
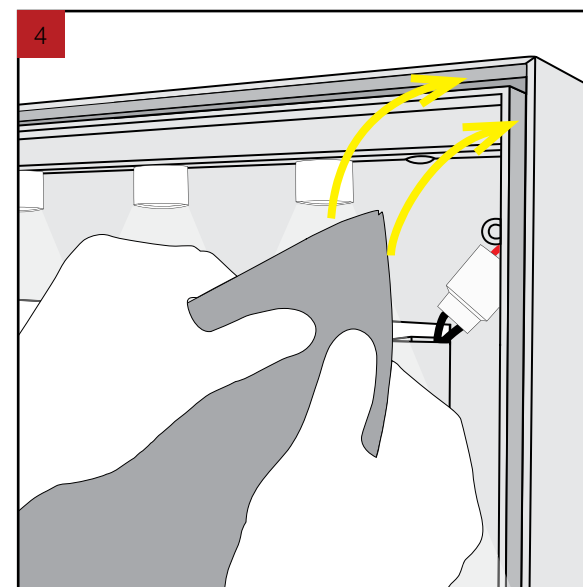
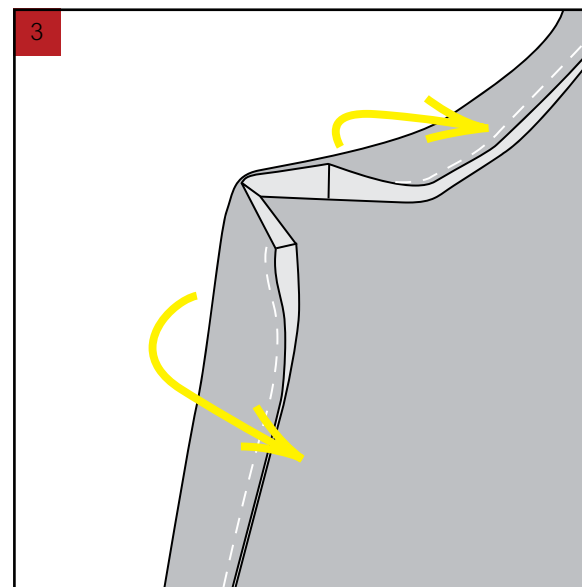
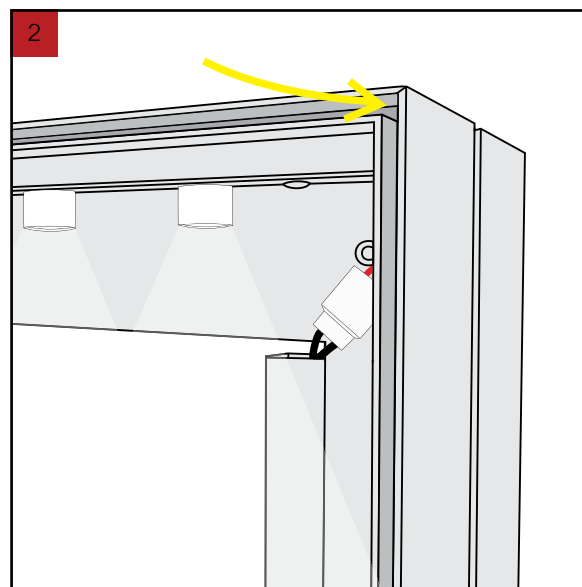
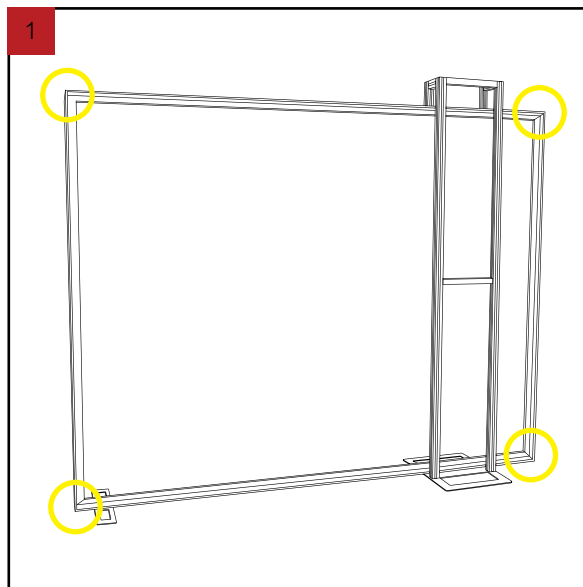
ECO Panel Install

- 1 Place ECO panel together with a vertical offset, slide down to lock connector in place.
- 2 Panel Corner Connectors are installed just like ECO panels. Remove by off-setting top lock clips horizontally followed by separating vertically.



SEG Graphic Install

- 1 Graphic is installed corners first. This allows a proportional fit around the perimeter of the extrusion.
- 2 Locate channels along the edge of the extrusions.
- 3 Fold over graphic (hiding threads) and tuck silicon edge and fabric into corners.
- 4 After corners are complete, slide in the rest of the graphic into channel. (From edges to center)
- 5 Graphic is installed. Stand back and be amazed!



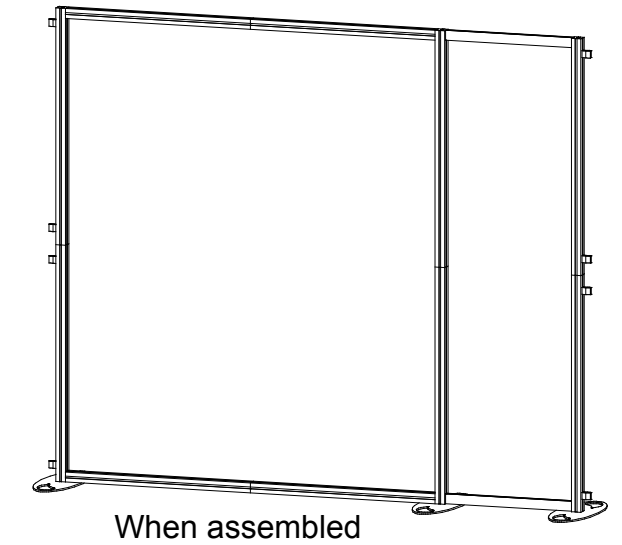
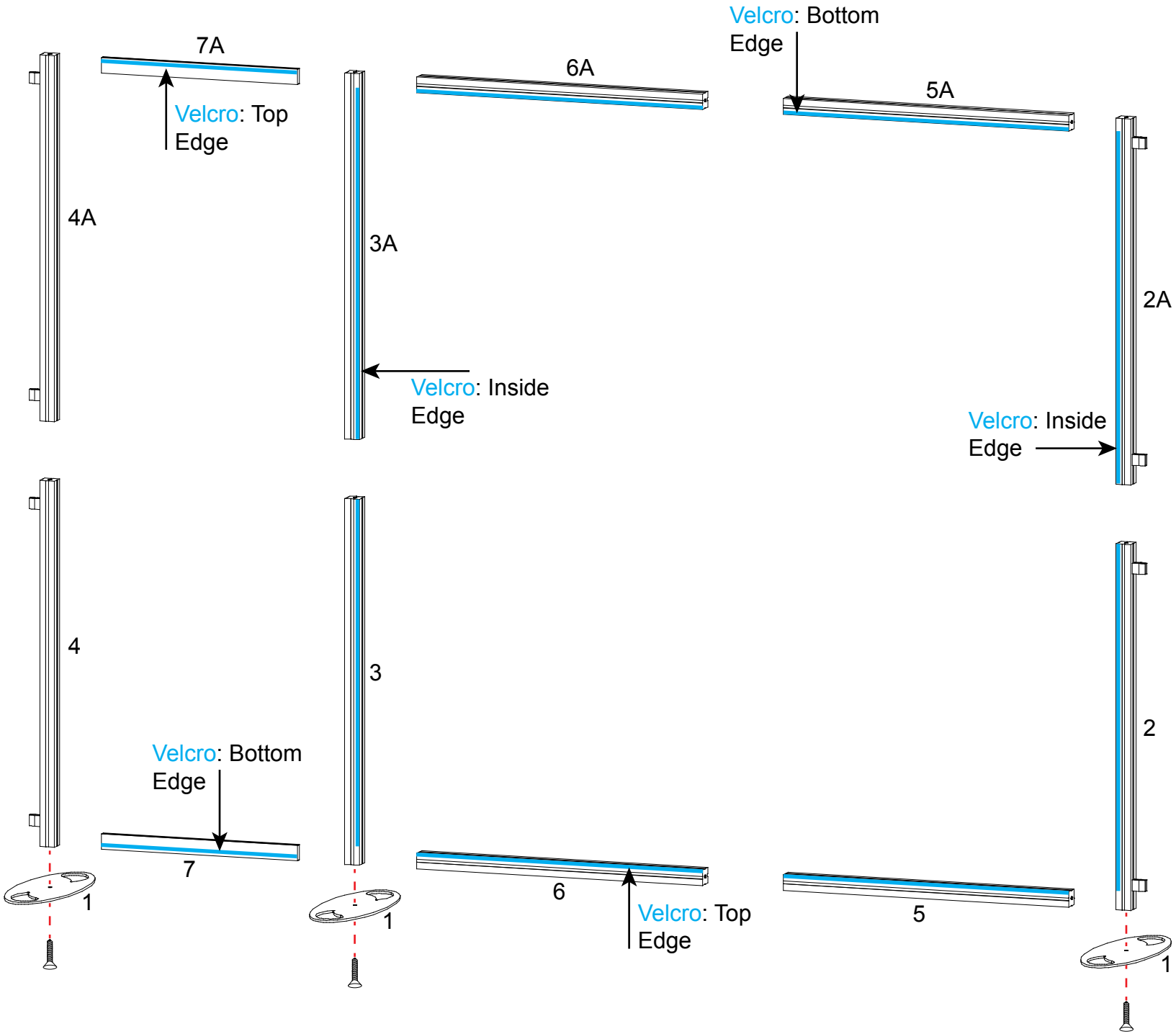
SETUP INSTRUCTIONS

Order #xxxxx -
Setup file can be found online at
www.ecosystemdisplays.com

Item	Qty.	Description
1	3	Base Plate
2/2A	1/1	43" h Vertical Extrusion
3/3A	1/1	43" h Vertical Extrusion
4/4A	1/1	43" h Vertical Extrusion
5/5A	1/1	35" w Horizontal Extrusion
6/6A	1/1	35" w Horizontal Extrusion
7/7A	1/1	24" w Horizontal Extrusion

Steps:

- 1) Connect verticals to base plates with bolts.
- 2) Attach upper verticals to lower verticals as shown in *S44 Connector* detail.
- 3) Connect lower horizontals together as shown in *S44 Connector* detail.
- 4) Connect upper horizontals together as shown in *S44 Connector* detail.
- 5) Connect lower and upper horizontals between verticals.
- 6) Attach graphics to backwall where indicated.



Step 1

S44 Connector

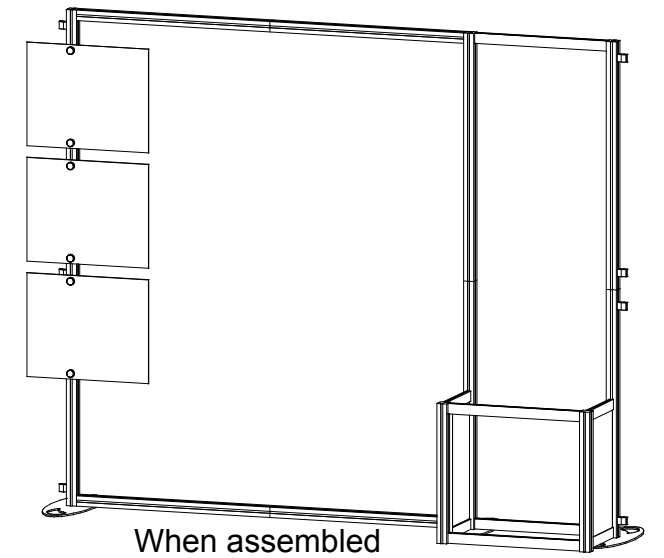
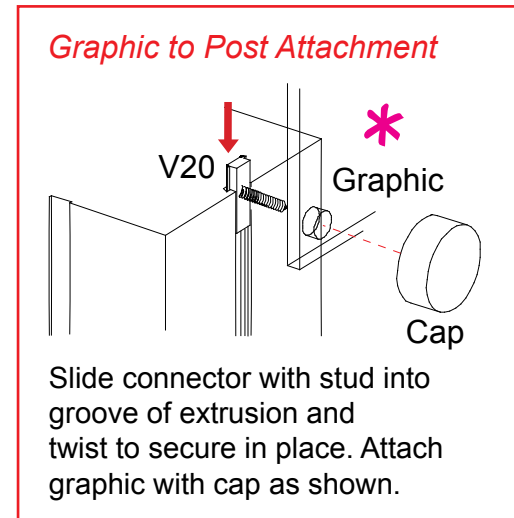
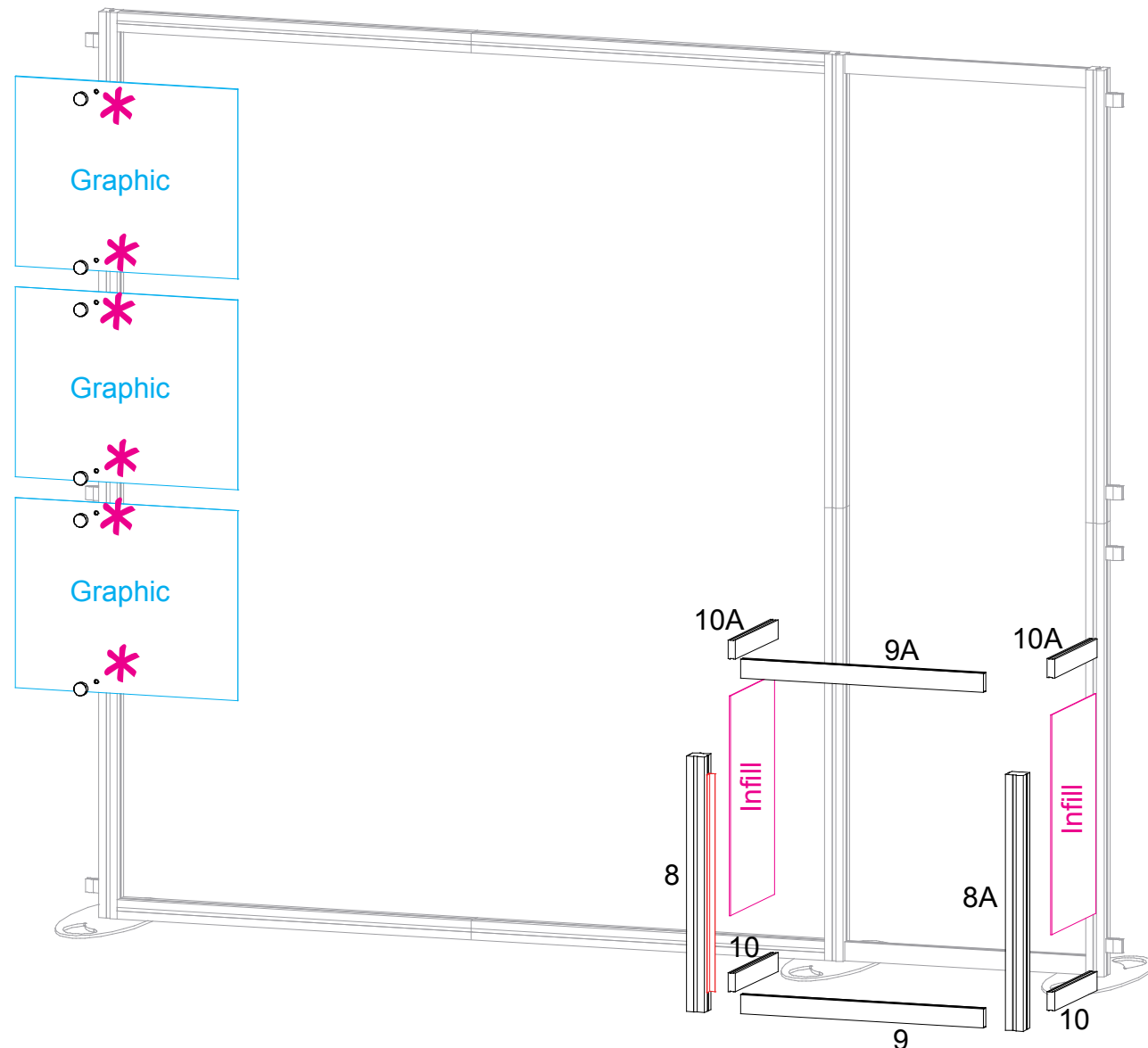
Connector Piece
Screws

Slide extrusion over connector and rest on lower vertical; secure with screws.

***To prevent product loss, Keep all screws attached to connector piece after disassembling*

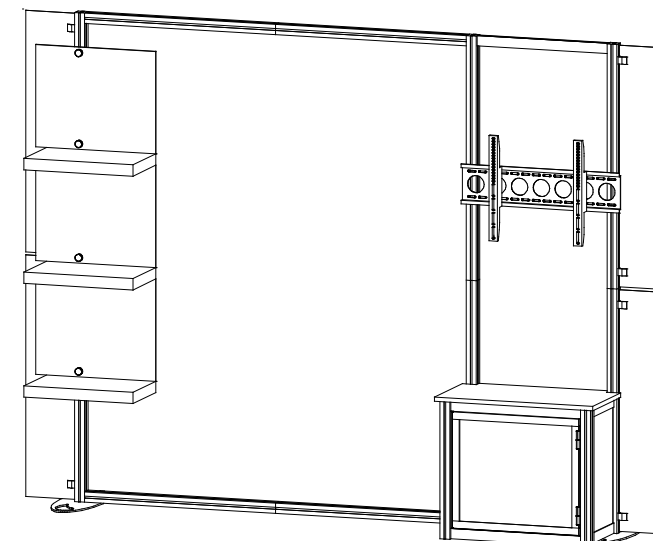
Item	Qty.	Description
8/8A	1/1	24.5”h Vertical Extrusion
9/9A	1/1	24”w Horizontal Extrusion
10/10A	1/1	12”w Horizontal Extrusion

- Steps:
- 1) Attach graphic with stand off caps as shown in detail.
 - 2) Connect horizontals [9] & [9A] between verticals [8] & [8A].
 - 3) Connect lower horizontals [10] between verticals.
 - 4) Attach infills between verticals on top of lower horizontal [10].
 - 5) Attach upper horizontal [10A].

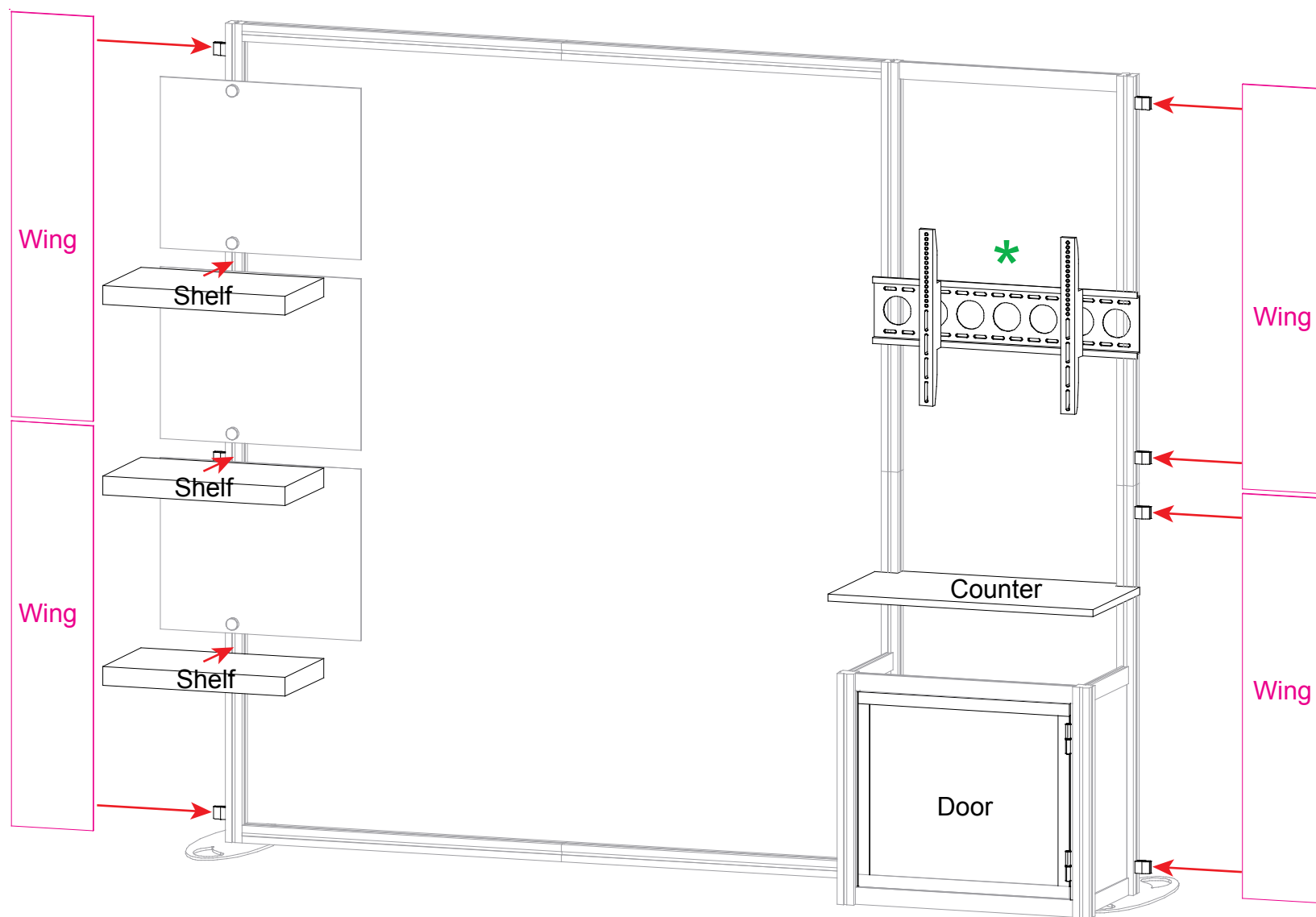


Step 2

- Steps:
- 1) Attach wings to backwall using *A10 Clamp Detail*.
 - 2) Connect door to counter assembly *Door Attachment* detail.
 - 3) Place counter on top of assembly.
 - 4) Attach monitor mount as shown in *Monitor Mount Attachment* detail.
 - 5) Attach shelves to vertical where indicated.



When assembled



A10 Clamp Detail

Tighten set screw to secure A10 to extrusion.

Tighten knob to secure header/wing in place.

Door Attachment

Slide pin into hinge attached to vertical.

Slide door hinge over pin.

*** Monitor Mount Attachment**

Slide connectors into groove of extrusion; tighten setscrew to secure.

Then attach wall plate to connectors using supplied bolts.

AERO

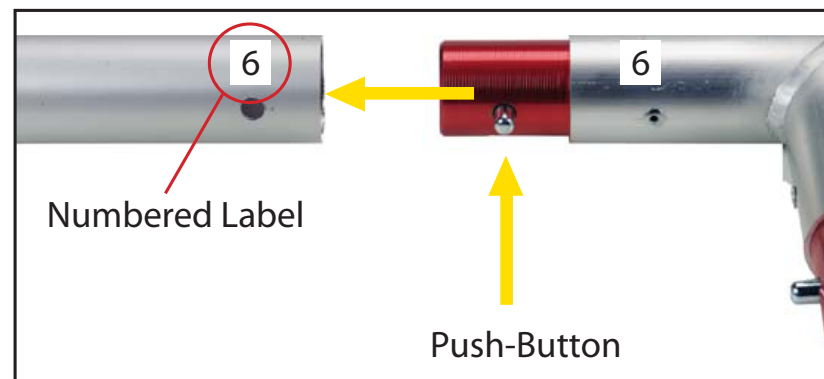
Using Your Setup Instructions

The Aero Overhead Sign Setup Instructions are created specifically for your configuration. They include an exploded view of the frame which is sequentially numbered. We encourage you to study the instructions before attempting to assemble your exhibit.

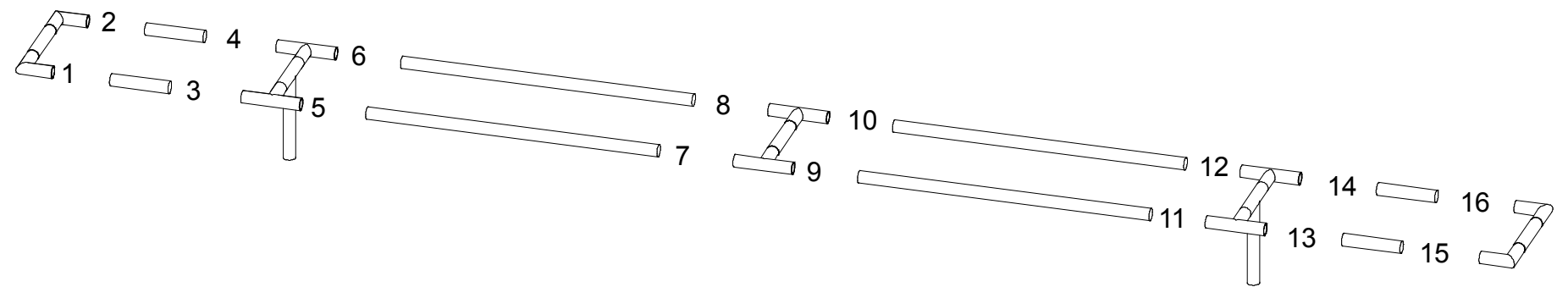
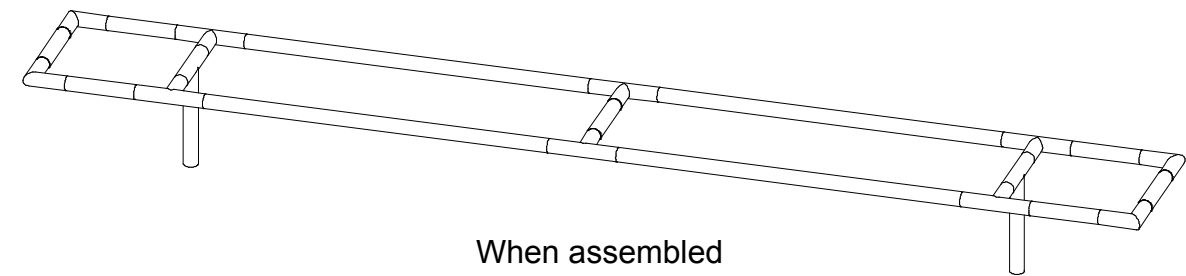
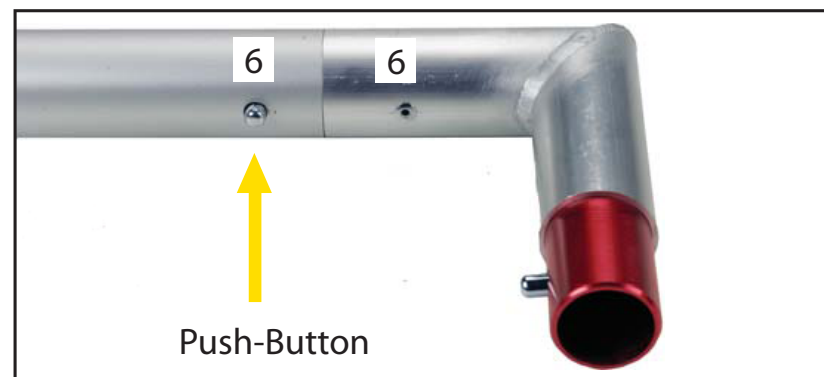
Connections are kept very simple: no tools. Everything assembles with push-button connectors and pre-connected horizontal sections.

Cleaning and Packing Your Display

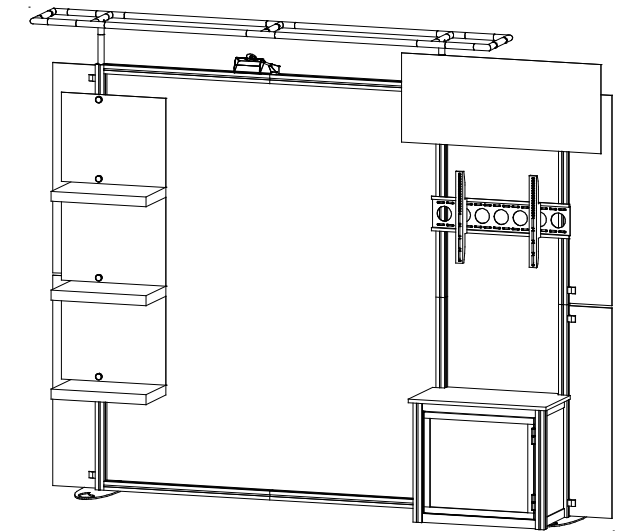
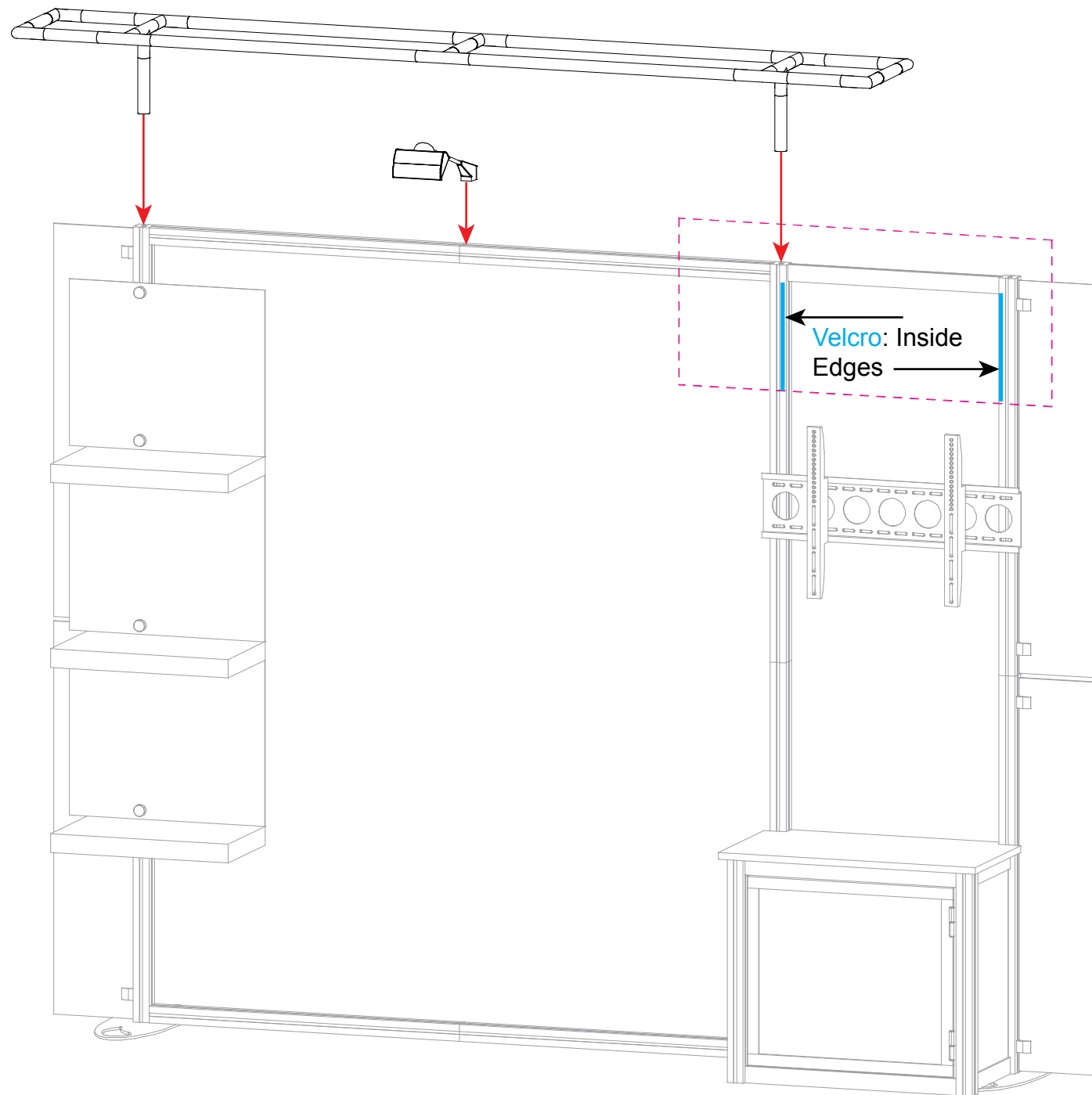
- 1) Use care when cleaning aluminum extrusion or acrylic inserts. Use only non-abrasive cleaners.
- 2) Retain all packing material. It will make re-packing much easier and will reduce the likelihood of shipping damage.



Connections are made by holding the button down and sliding the red tube into opposing tube until the connection is made. To disassemble push button and pull or twist extrusions apart.



- Steps:
- 1) Use canopy attachment to attach canopy to upper verticals.
 - 2) Attach light as shown in detail.
 - 3) Attach graphic to velcro where indicated.



When assembled

Step 5